

# 66REC DRY RECONNECTABLE BREAKAWAY INSTALLATION INSTRUCTIONS FOR THE 66REC-1000 AND 66REC-100L

## IMPORTANT INFORMATION FOLLOW ALL INSTRUCTIONS

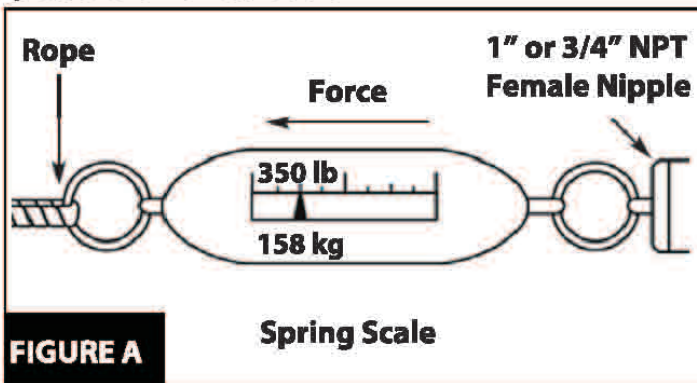
Please read these warnings and use and assembly instructions completely and carefully before starting. Failure to do so may cause product failure, or result in environmental contamination due to liquid leakage into the soil, creating hazardous spill conditions.

### CAUTION:

The OPW 66REC has a maximum disengagement force of 350 lbs. (158 kg). Per UL requirements, it shall be determined that such pull force will not damage the hose assembly or dispensing device (See Figure A for test). Dispensing device must be securely bolted to the dispensing island.

### PULL FORCE TEST:

Attach a spring scale to the location where the breakaway will be installed. Apply a 350 lbs. (158 kg) pull force at various angles and check the emergency valves, dispenser and hose assembly. Release the load and complete the valve installation.



### INSTALLATION:

**CAUTION: DO NOT USE TEFLON TAPE. USE U.L. RECOGNIZED PIPE SEALANT ON THREADED CONNECTIONS.**

**VALVE CAN BE INSTALLED WITH FLOW IN EITHER DIRECTION.**

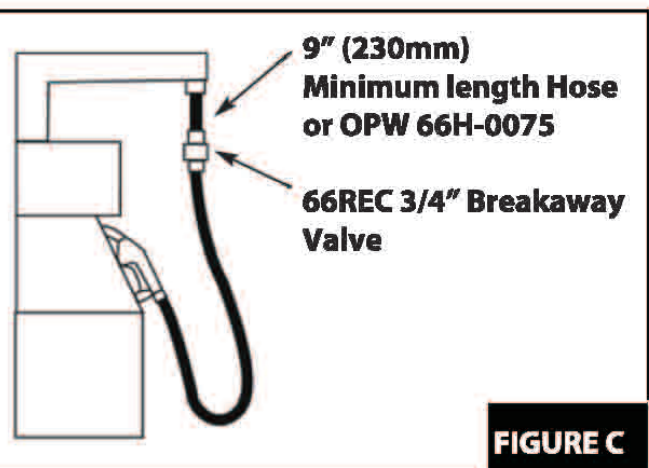
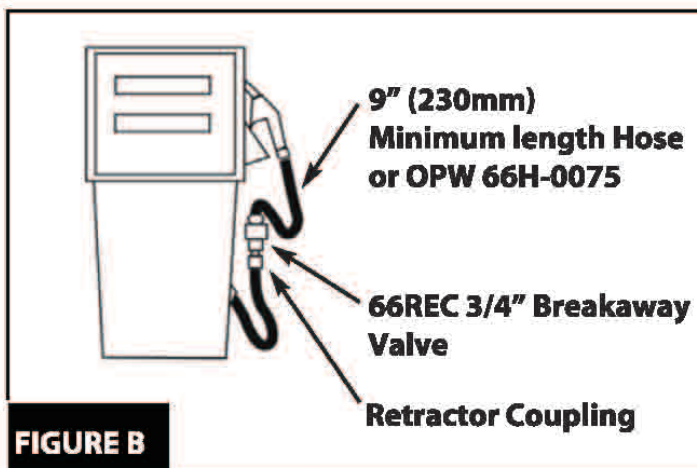
However, it is recommended that the OPW 66REC be installed with the smaller end toward the dispenser in high hanging-hose applications for weather protection. This means that in low-hose applications, the unit will have the smaller end on the nozzle side of the hose.

### SIDE HOSE CONNECTION: (SEE FIGURE B)

Install the OPW 66REC downstream of the hose retractor. Install a 9" (230 mm) minimum length hose or OPW 66H-0075 between OPW 66REC and nozzle. Total length of hoses and breakaway valve is not to exceed local state or federal codes.

### OVERHEAD HOSE CONNECTION: (SEE FIGURE C)

Install the OPW 66REC with a 9" (230 mm) minimum length hose or OPW 66H-0075 onto dispenser as shown. Install hose between OPW 66REC and nozzle. Total length of hoses and breakaway valve is not to exceed local state or federal codes.

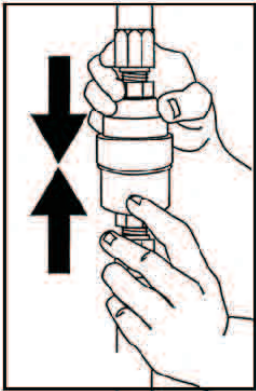




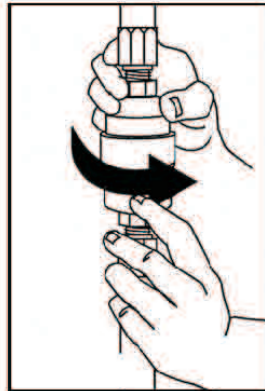
# STEPS FOR RECONNECTION

## AFTER A SEPARATION HAS OCCURRED:

1. Turn off dispenser.
2. Inspect the entire dispensing system including piping, emergency valves, hoses, nozzles, swivels and the OPW 66REC breakaway for any damage or noticeable leaking. Replace any damaged components in the system.



**FIGURE D**



**FIGURE E**

3. Clean and lubricate the O-ring and valve halves with light oil or silicone grease.
  - 3a. PLEASE NOTE: For easier reconnection, be sure to relieve any pressure in the separated hose length by opening the nozzle and draining a small amount of fuel into an approved container.
4. Push the top and bottom valve halves of the 66REC firmly together. (Figure D)
5. Holding the top of the valve half tightly, rotate the bottom half approximately 30 degrees until a click is heard, indicating a positive lock. (Figure E)
6. Your OPW 66REC is now re-installed. Pressurize the dispensing system and check for leakage as in step 2. If the system has not been damaged and a proper reconnection has been made, you may return the dispensing unit back to normal operation. However, should leakage occur, or if there is doubt about a proper reconnection being made, remove the unit from service and call your local maintenance company.

### OPW STANDARD PRODUCT WARRANTIES

NOTICE: FlexWorks by OPW, Inc., VAPORSAVER™ and all other OPW products must be used in compliance with all applicable federal, state, provincial and local laws, rules and regulations. Product selection is the sole responsibility of the customer and/or its agents and must be based on physical specifications and limitations, compatibility with the environment and material to be handled. All

illustrations and specifications in this literature are based on the latest production information available at the time of publication. Prices, materials and specifications are subject to change at any time, and models may be discontinued at any time, in either case, without notice or obligation.

OPW warrants solely to its customer that the following products sold by OPW will be free from defects in materials and workmanship under normal use and conditions for the periods indicated:

PRODUCT	WARRANTY PERIOD
FlexWorks Primary Pipe	10 years from date of manufacture
All Products Certified to California 2001 Standards *	1 year from date of manufacture or from date of installation registration (not to exceed 15 months from date of manufacture)
All other Products	1 year from date of manufacture
*Products certified to California 2001 Standards will have an OPW registration card enclosed/attached to the product.	

OPW's exclusive obligation under this limited warranty is, at its option, to repair, replace or issue credit (in an amount not to exceed the list price for the product) for future orders for any product that may prove defective within the applicable warranty period (repairs or replacements are subject to prorated warranty coverage for remainder of the original warranty period). Complete and proper warranty claim documentation and proof of purchase required.

All warranty claims must be made in writing and delivered during the applicable warranty period to OPW at OPW 9393 Princeton-Glendale Road Hamilton, Ohio, USA 45011, Attention: Customer Service Manager. No products may be returned to OPW without its prior written authority.

This limited warranty shall not apply to any FlexWorks or VAPORSAVER™ product unless it is installed by an OPW attested installer. This limited warranty also shall not apply to any FlexWorks, VAPORSAVER™ or other OPW product: unless all required site and warranty registration forms are completed and received by OPW within 60 days of installation; unless all piping connections are installed with a nationally-recognized or state-approved leak detection device in each tank and dispenser sump (which are not for storage and from which all discharge hydrocarbons must be removed, and the systems completely cleaned, within 24 hours); unless testable sumps utilize FlexWorks pipe and access fittings; unless a sump inspection log or an EPA recommended/required checklist is maintained and the results are furnished to OPW



upon request; and unless OPW is notified within 24 hours of any known or suspected product failure and is provided with unrestricted access to the product and the site. This limited warranty also shall not apply to any product which has been altered in any way, which has been repaired by anyone other than a service representative authorized by OPW, or when failure or defect is due to: improper installation or maintenance (including, without limitation, failure to follow FlexWorks Quick Reference Manual Installation Guide and all product warning labels); abuse or misuse; violation of health or safety requirements; use of another manufacturer's, or otherwise unauthorized, substances or components; soil or other surface or subsurface conditions; or fire, flood, storm, lightning, earthquake, accident or any other conditions, events or circumstances beyond OPW's control.

THIS LIMITED WARRANTY IS IN LIEU OF ALL OTHER WARRANTIES, EXPRESS OR IMPLIED, AND ALL OTHER WARRANTIES INCLUDING, WITHOUT LIMITATION, THE WARRANTIES OF MERCHANTABILITY AND FITNESS FOR A PARTICULAR PURPOSE, ARE HEREBY EXCLUDED.

OPW shall have no other liability whatsoever, whether based on breach of contract, negligence, gross negligence, strict liability or any other claim, including, without limitation, for special, incidental, consequential or exemplary damages or for the cost of labor, freight, excavation, clean-up, downtime, removal, reinstallation, loss of profit, or any other cost or charges. No person or entity is authorized to assume on behalf of OPW any liability beyond this limited warranty. This limited warranty is not assignable.



9393 Princeton Glendale Rd.  
Hamilton, OH 45011  
Customer Service: 1-(800) 422-2525  
Technical Service and Questions: 1-(877) OPW-TECH  
[www.opwglobal.com](http://www.opwglobal.com)

Part Number: H12917PA  
Issue Date: 07/11/2014