

直径1400mm人孔井套件, 900mm上开孔, 标准型, 导静电。(FETC1400N-B)
直径1400mm人孔井套件, 900mm上开孔, 底座开孔型, 导静电。(FETC1400N-BH)

FETC1400N-B(H)

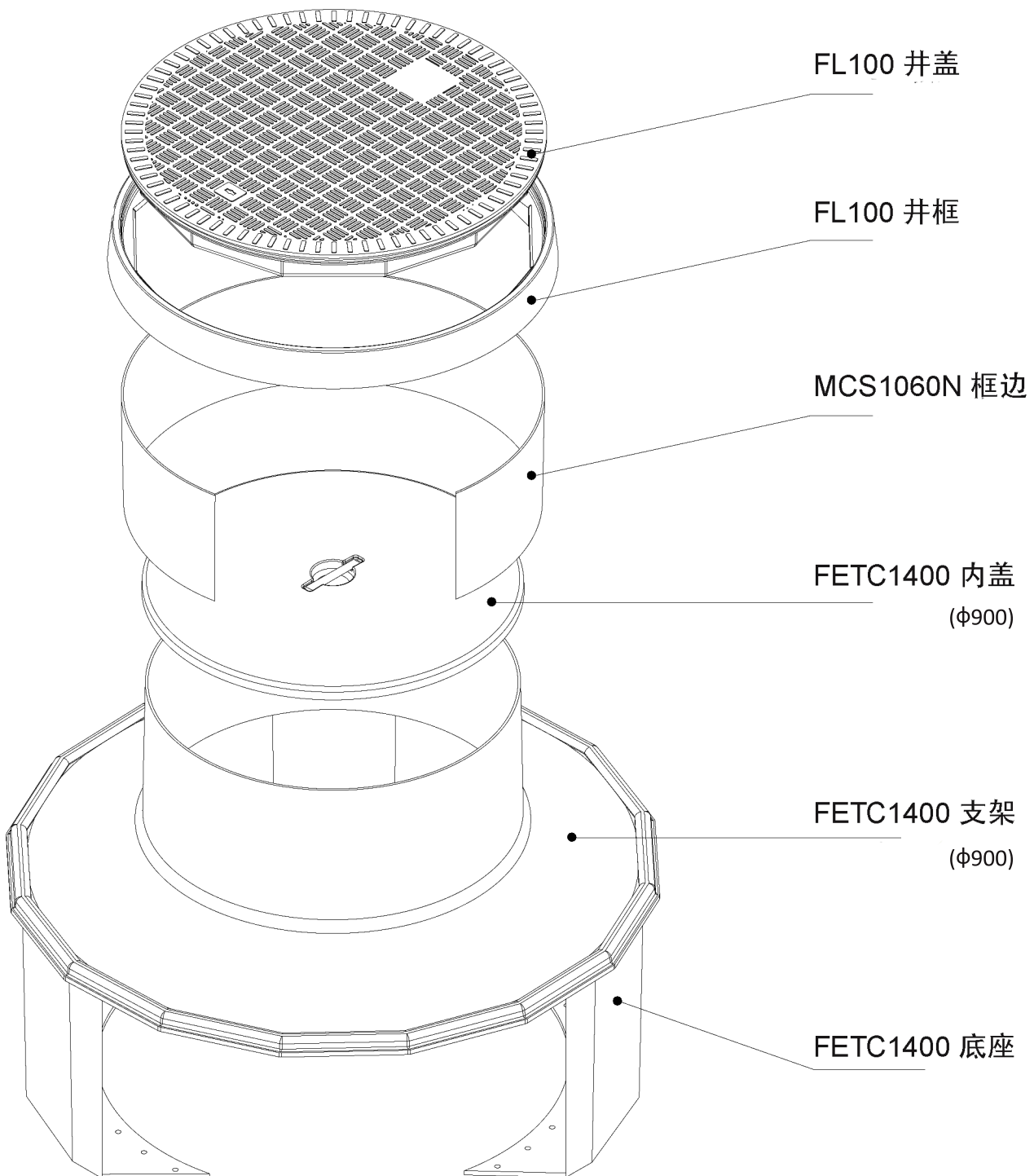
© Copyright

Issue: 04/03/2018

Page: 1 of 4

OPW 
A DOVER COMPANY

F
FIBRELITE



直径1400mm人孔井套件, 900mm上开孔, 标准型, 导静电。(FETC1400N-B)
 直径1400mm人孔井套件, 900mm上开孔, 底座开孔型, 导静电。(FETC1400N-BH)

FETC1400N-B(H)

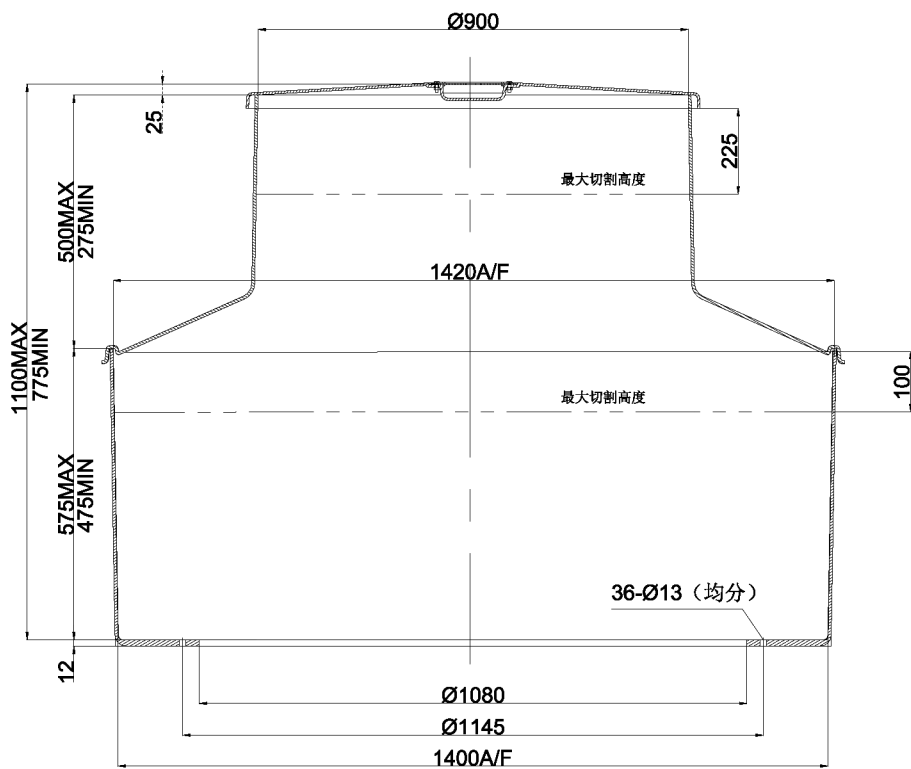
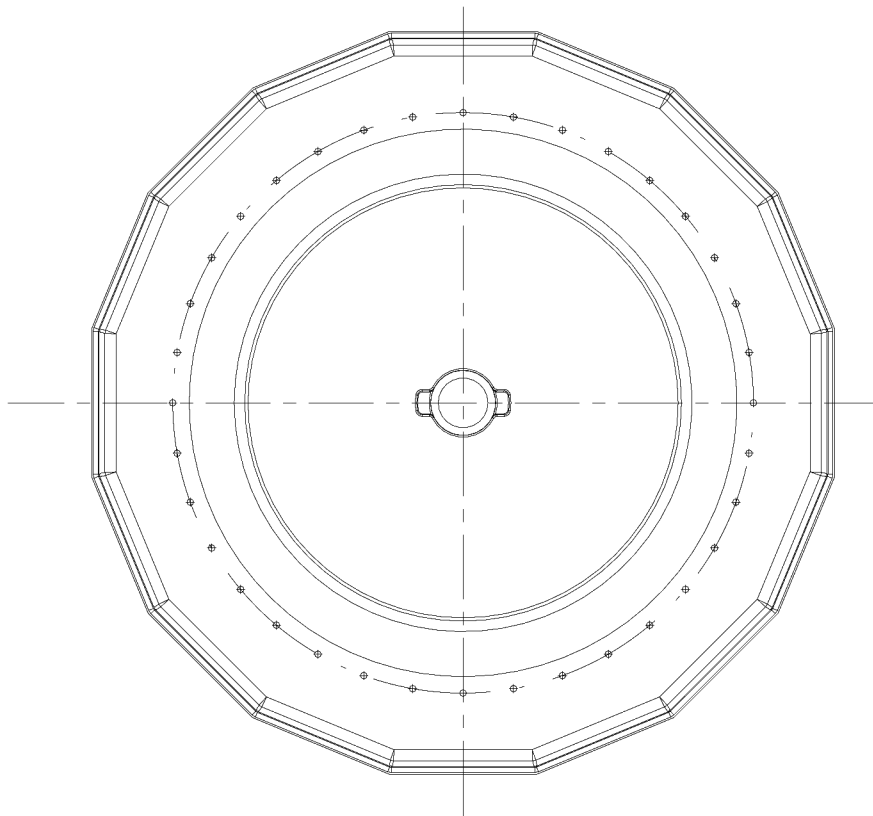
© Copyright

Issue: 04/03/2018

Page: 2 of 4

OPW 
 A DOVER COMPANY


 FIBRELITE



直径1400mm人孔井套件, 900mm上开孔, 标准型, 导静电。(FETC1400N-B)
 直径1400mm人孔井套件, 900mm上开孔, 底座开孔型, 导静电。(FETC1400N-BH)

OPW 
 A DOVER COMPANY

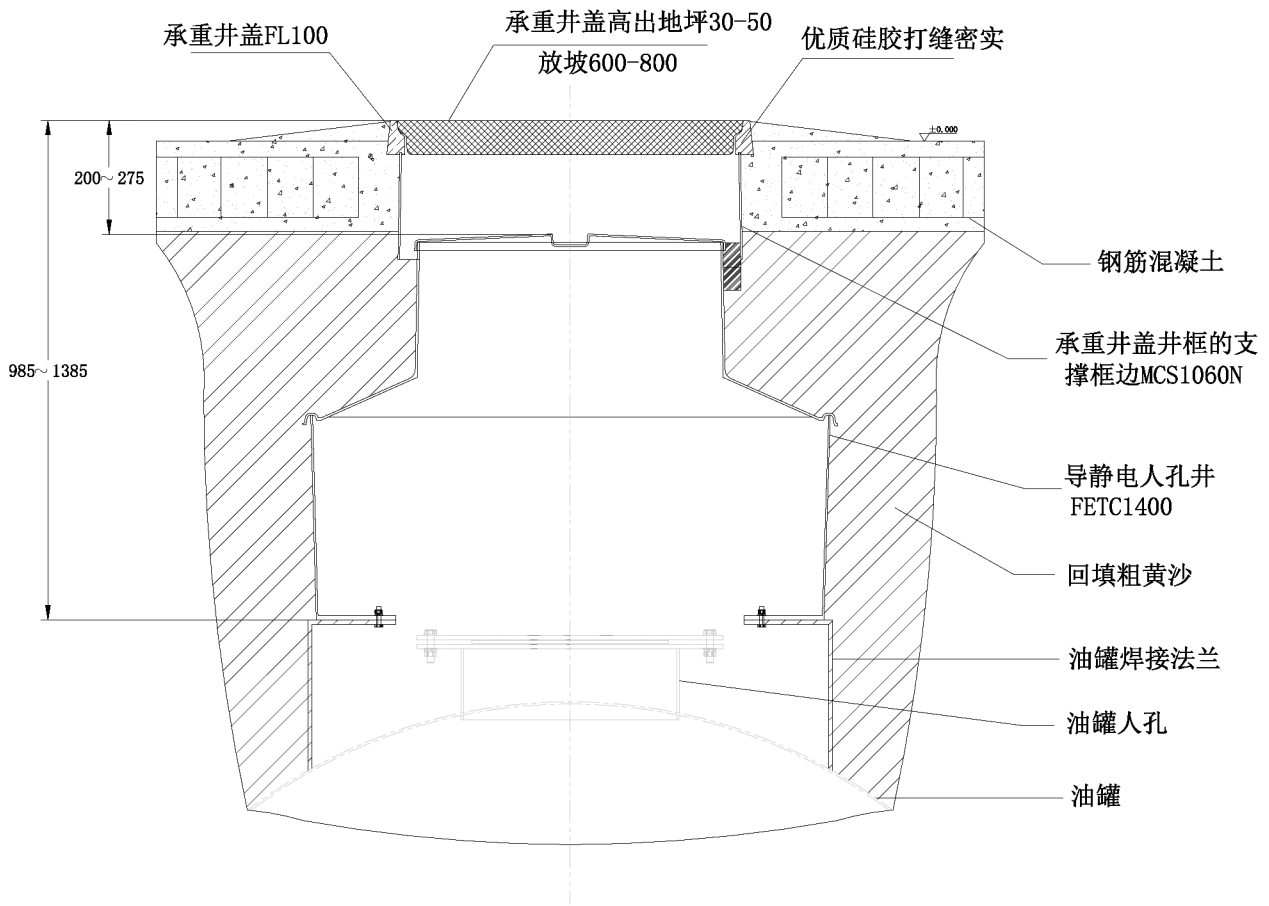
F
 FIBRELITE

FETC1400N-B(H)

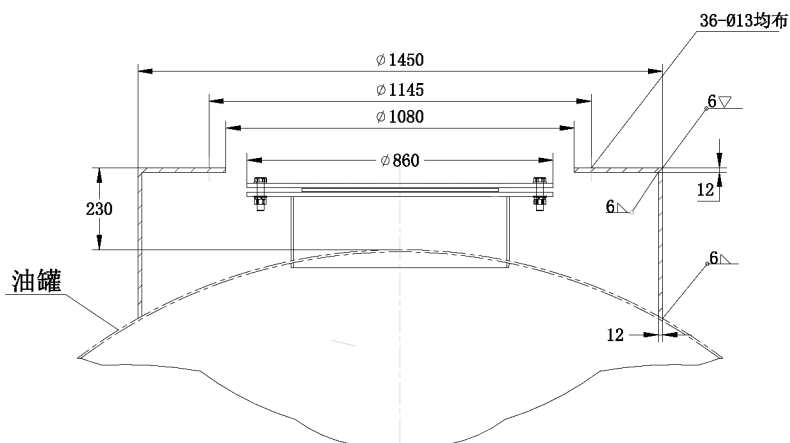
© Copyright

Issue: 04/03/2018

Page: 3 of 4



人孔井钢制底座图



直径1400mm人孔井套件, 900mm上开孔, 标准型, 导静电。(FETC1400N-B)
 直径1400mm人孔井套件, 900mm上开孔, 底座开孔型, 导静电。(FETC1400N-BH)

FETC1400N-B(H)

© Copyright

Issue: 04/03/2018

Page: 4 of 4

OPW
 A DOVER COMPANY

FIBRELITE